

PLEASE CHECK WWW.MOLEX.COM FOR LATEST PART INFORMATION

Part Number: [0010191161](#)
Status: **Active**
Overview: [kk](#)
Description: 5.08mm (.200") Pitch KK® Header, Vertical, with Polarizing Backwall, 18 Circuits, Tin (Sn) Plating

Documents:

[3D Model](#) [RoHS Certificate of Compliance \(PDF\)](#)
[Drawing \(PDF\)](#)

Agency Certification

UL E29179

General

Product Family PCB Headers
 Series [2599](#)
 Application Wire-to-Board
 Overview [kk](#)
 Product Name KK®

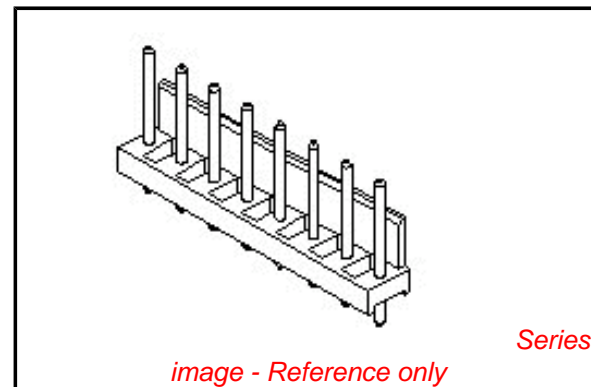
Physical

Breakaway No
 Circuits (Loaded) 16
 Circuits (maximum) 16
 Color - Resin Natural
 Durability (mating cycles max) 50
 First Mate / Last Break No
 Flammability 94V-2
 Glow-Wire Compliant No
 Guide to Mating Part No
 Keying to Mating Part None
 Lock to Mating Part None
 Material - Metal Brass
 Material - Plating Mating Tin
 Material - Plating Termination Tin
 Material - Resin Nylon
 Number of Rows 1
 Orientation Vertical
 PC Tail Length (in) 0.175 In
 PC Tail Length (mm) 4.45 mm
 PCB Retention None
 PCB Thickness Recommended (in) 0.062 In
 PCB Thickness Recommended (mm) 1.60 mm
 Packaging Type Bag
 Pitch - Mating Interface (in) 0.200 In
 Pitch - Mating Interface (mm) 5.08 mm
 Shrouded Partial
 Stackable Yes
 Surface Mount Compatible (SMC) No
 Temperature Range - Operating 0°C to +75°C
 Termination Interface: Style Through Hole

Electrical

Current - Maximum per Contact 7A
 Voltage - Maximum 250V

Material Info



EU RoHS **China RoHS**

Compliance Status

Not Reviewed

REACH SVHC

Not Reviewed

Halogen-Free

Status

Not Reviewed

Need more information on product environmental compliance?

Email productcompliance@molex.com
 For a multiple part number RoHS Certificate of Compliance, [click here](#)

Please visit the [Contact Us](#) section for any non-product compliance questions.

Search Parts in this Series

[2599Series](#)

Mates With

KK® Crimp Terminal Housing [3001](#) , [5058](#)

Old Part Number

2599-16A

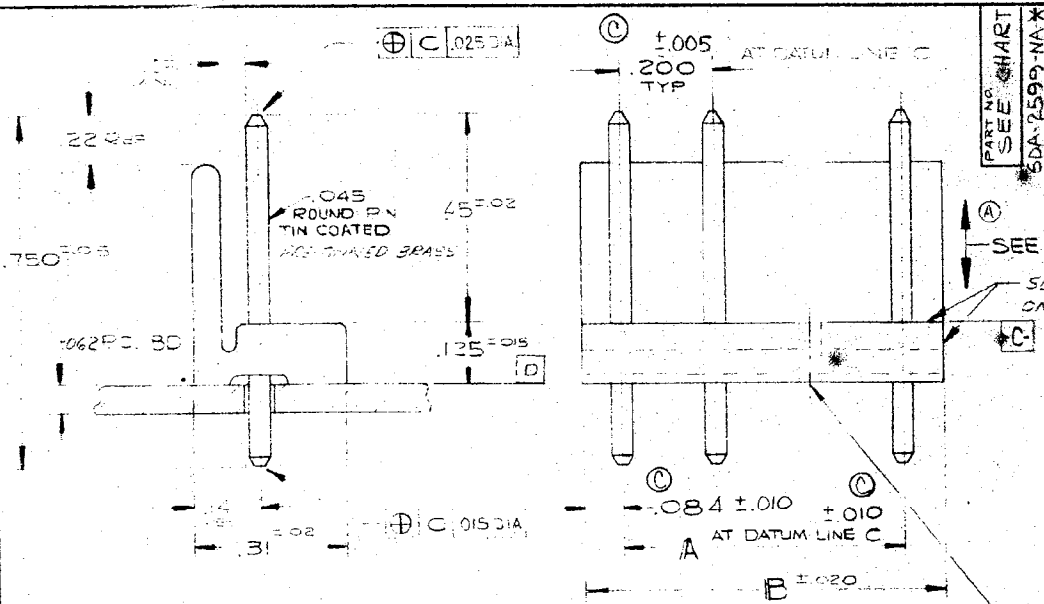
Reference - Drawing Numbers

Sales Drawing

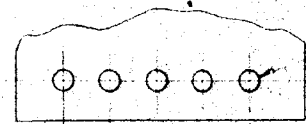
SDA-2599-NA*

This document was generated on 05/24/2010

PLEASE CHECK WWW.MOLEX.COM FOR LATEST PART INFORMATION



PART NO. SEE CHART SDA-2599-NA*



RECOMMENDED PC BOARD HOLE DIMENSIONS

SEE NOTE 1
SLIGHT SAW BURR PERMITTED ON TOP & SIDE EDGES - BOTH ENDS

FOR VOID LOC. SEE CHART ON SHEET 2

- NOTES:
- A) 1. PIN PUSH OUT FORCE: 3 LBS. MIN.
 2. BURRS NOT TO EXTEND BELOW SURFACE D
 - C. CODE LETTER PRECEDING PART NO. INDICATES MFG LOCATION I - IRELAND
 - * PARTS TO MEET MOLEX PRODUCT SPEC 0-39

| 10-19-1181 | A-2599-18A | 18 | 3.400 | 3.568 | |
|------------|------------|----------------|--------|--------|--|
| 1171 | A-2599-17A | 17 | 3.200 | 3.368 | |
| 1161 | A-2599-16A | 16 | 3.000 | 3.168 | |
| 1151 | A-2599-15A | 15 | 2.800 | 2.968 | |
| 1141 | A-2599-14A | 14 | 2.600 | 2.768 | |
| 1131 | A-2599-13A | 13 | 2.400 | 2.568 | |
| 1121 | A-2599-12A | 12 | 2.200 | 2.368 | |
| 1111 | A-2599-11A | 11 | 2.000 | 2.168 | |
| 1101 | A-2599-10A | 10 | 1.800 | 1.968 | |
| 1091 | A-2599-9A | 9 | 1.600 | 1.768 | |
| 1081 | A-2599-8A | 8 | 1.400 | 1.568 | |
| 1071 | A-2599-7A | 7 | 1.200 | 1.368 | |
| 1061 | A-2599-6A | 6 | 1.000 | 1.168 | |
| 1051 | A-2599-5A | 5 | .800 | .968 | |
| 1041 | A-2599-4A | 4 | .600 | .768 | |
| 1031 | A-2599-3A | 3 | .400 | .568 | |
| 10-19-1021 | A-2599-2A | 2 | .200 | .368 | |
| PART NO | ENG NO | NO OF CIRCUITS | DIM. A | DIM. B | |

WAFER MATERIAL: NYLON-NATURAL COLOR

.200 CENTER DISTANCE

ISSUED SHEET 2
ADD PARTS/VOIDS
EAO # 16533
9-17-79
BIT REC WAFER
1580X 7-10-73
C/A WAS 1.005
C/A WAS 1.004
WAS 0.8 PER EC
LAP 1.1
8.000 ± .010
3/5-72 JLL/ER
ALANDED NOTE 1
ECO # 612
4-3-72 TFS/ER
2-2-72 HJ/BAW
REVISIONS

| | | |
|---------------|-----------------------------------|---------------|
| SCALE 14x1 | POLARIZING WAFER ASSEMBLY | |
| | MOLEX PRODUCTS CO. | DATE: 1-13-72 |
| HC | BAJH | SHEET 2 OF 2 |
| | DOWNERS GROVE, ILL. 60513, U.S.A. | SDA-2599-NA* |

THIS DRAWING CONTAINS INFORMATION THAT IS PROPRIETARY TO THE MOLEX PRODUCTS COMPANY AND SHOULD NOT BE USED WITHOUT WRITTEN PERMISSION.

